

Egg Station with Dual Zone | ESDZ



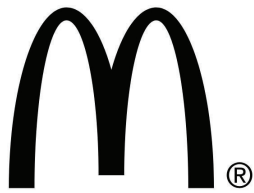
Easily serve freshly cooked breakfast items to customers throughout the day with the Egg Station with Dual Zone. The new ESDZ-1200 features two independent cooking zones that allow operations to easily and quickly prepare eggs in order to take advantage of the success of the All Day Breakfast program.

The ESDZ-1200 has a heated, machined grill surface to cook the eggs while the non-stick rings give the product its shape. Steam is created under the pivoting cover that is lowered over the rings. As water is poured into the troughs on the cover, it drips down onto the platen, which produces steam to keep the eggs moist as they cook.

The new design separates the grill surface into two areas for cooking smaller batches of eggs independent of one another. Whether it's four eggs, two eggs, or even an individual order, the new ESDZ-1200 cooks great-tasting breakfast products throughout the day.

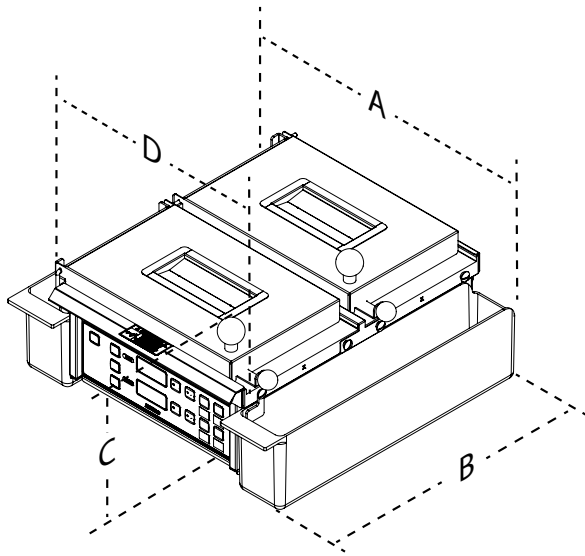
FEATURES

- Split cover with rear and front areas allow operations to cook small batches of eggs.
- Independent heating element with temperature control for the front and rear areas.
- Provides operations with flexibility to fill any volume of breakfast orders throughout the day.
- Timer features two channels that each include four pre-programmed cook times to handle a variety of different products.
- Small footprint to easily fit into any operation.
- Quickly cook up to 12 eggs for breakfast items without taking up valuable grill space.
- Machined grill surface for ease of cleaning.
- Supplied with non-stick egg rings.
- Four adjustable legs for an even grill surface.
- Audio/visual signal for operation.



Egg Station with Dual Zone | ESDZ

Dimensions



Model & Mfg. No.	Width (A)	Depth (B)	Height (C)	Width (D)
ESDZ-1200 9300624				
9300625				
9300626				
9300627	18"	18 29/32"	8 15/16"	12 3/4"
9300628	(457 mm)	(480 mm)	(227 mm)	(324 mm)
9300632				
9300634				
9300637				
9300641				

Electrical Ratings and Plug Configuration

Model & Mfg. No.	Volts	Watts	Amps	Plug Description
ESDZ-1200 9300624	200-240~	3000	15/12.5	20 Amp., 250 Volt Pin & Sleeve
ESDZ-1200 9300625	200-240~	3000	15/12.5	L6-20P 20 Amp. 250 Volt Straight Twist Lock
ESDZ-1200 9300626 (Canada)	200-240~	3000	15/12.5	L6-20P 20 Amp. 250 Volt Straight Twist Lock
ESDZ-1200 9300627	200-240~	3000	15/12.5	IEC-309 16 Amp., 220-250 Volt, 3 Pin
ESDZ-1200 9300628	200-240~	3000	15/12.5	CEE 7/7 Schuko 16 Amp., 250 Volt
ESDZ-1200 9300632 (Canada)	200-240~	3000	15/12.5	250 Volt, 20 Amp. Pin & Sleeve
ESDZ-1200 9300634 (Australia)	200-240~	3000	15/12.5	Marechal, Pin & Sleeve 32 Amp., 250 Volt
ESDZ-1200 9300637 (New Zealand)	200-240~	3000	15/12.5	Marechal, Pin & Sleeve 32 Amp., 250 Volt
ESDZ-1200 9300641	200-240~	3000	15/12.5	BS-1363 Fused Permaplug 16 Amp., 250 Volt

Specifications

Warranty: Two years warranty (parts, labor and travel)

Note: Order from your K.E.S. or talk to your equipment manager.

P/N 1020464 09/17