

IT'S NO TRICK TO DISPENSE THICK.

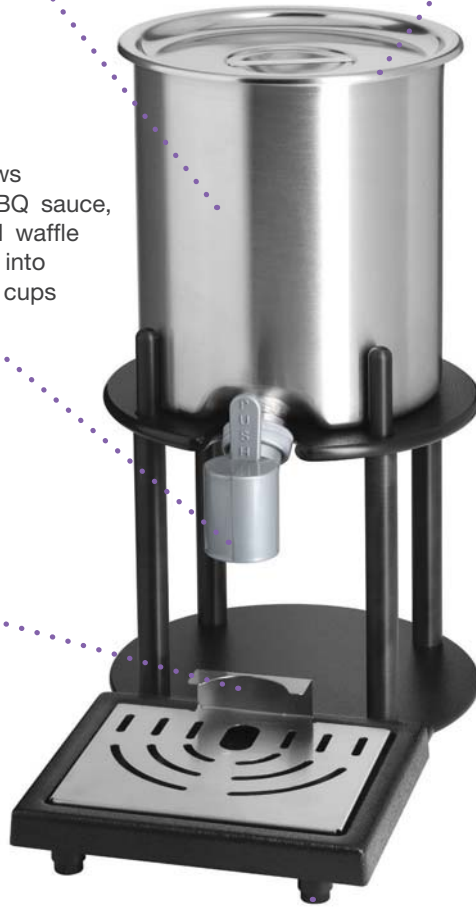
THICK FOOD DISPENSER

Thick ambient temperature batters and hand-crafted sauces dispense with ease so you can serve where you need it – holds 6 quarts in only 9" of horizontal space

Fill checks and refills are easy with lift-off lid

Fast-pour faucet allows ambient foods like BBQ sauce, salsa or pancake and waffle batters to flow freely into ramekins and soufflé cups

Mess-free alignment guide on removable tray ensures pour accuracy and easy clean-up



Slip and scratch-resistant feet protect your countertop

To fill tall containers (above 4¾"), reposition upper platform so faucet clears counter edge



THICK FOOD DISPENSER Model TPD

Application

- Use in front and back-of-house operations to dispense high viscosity or large particulate products like waffle or pancake batter, thick BBQ sauce, mustard and salsa (ambient only).

Fast Facts

Serves thick, ambient foods like hand-crafted sauces and batters where you need it. Whether it's breakfast buffet waffle batter or ramekins of salsa at a finishing station, the fast-pour faucet allows high viscosity foods to flow freely and seals instantly to prevent dripping.

This dispenser holds 6 quarts in 9" of countertop space left-to-right and promotes FIFO product rotation with its top-fill/bottom-dispense design.



1.800.558.8722
server-products.com

THICK FOOD DISPENSER Model TPD

DISPENSING THICK FOODS HAS NEVER BEEN EASIER.

THICK FOOD DISPENSER

Model TPD

Specifier Statement

Unit will be a Server Products Model TPD Thick Food Dispenser with 6 qt stainless steel vessel and fast-pour dispensing faucet designed to dispense ambient, high-viscosity or large particulate foods. Dispenser includes stand with nonskid feet plus a removable stainless steel lid and drip tray. NSF listed. Two-year warranty. Crafted in the USA. Ships FOB Richfield, WI 53076.

Specifications

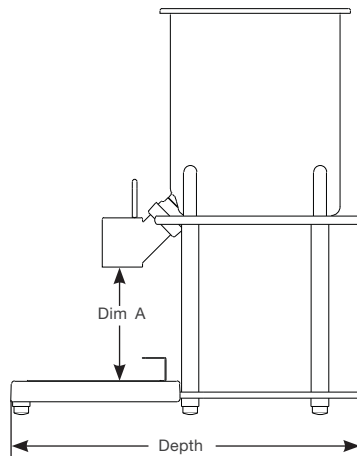
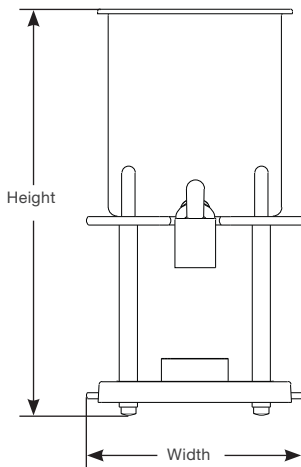
Part Number	Dimensions (height x width x depth)	Dim A	Weight
87800	17 ³ / ₁₆ " x 9" x 14 ⁷ / ₈ " 43.7 x 22.9 x 37.8 cm	4 ¹³ / ₁₆ " 12.2 cm	8 lbs 3.6 kg



Related Items

Express™ condiment systems dispense from a 1½ gallon pouch with 16 mm fitment. They feature a plastic pump that is quick to breakdown and achieves up to 98% evacuation. Models are available to dispense 1-6 pouches for countertop and drop-in applications.

Squeeze bottle holders keep condiments organized and fit into the workflow of your cold table to boost efficiency and help maintain safe temperatures for your sauces and dressings.



Express™ System



Squeeze Bottle Holders



Server Products, Inc. | 800.558.8722 | Intl: 262.628.5600
3601 Pleasant Hill Road | Richfield WI 53076
spsales@server-products.com | server-products.com

Server Products, Inc. reserves the right to modify specifications without obligation.
Printed in USA | © Server Products, Inc 5.2018 | S 02129