

PUMPS: SOLUTION™, PLASTIC FOUNTAIN JAR PUMPS

Models PS-F & PS-200

WHAT DO YOU DISPENSE?

- ◊ **THIN** • fountain syrups • liqueur • hot or soy sauce
- **THICK** • ketchup • mustard • mayo • bbq sauce
- **PARTICULATES** • tartar sauce • Thousand Island



PS-200 84060

BID DESCRIPTION

Server Solution™ pumps are designed to dispense a wide range of products from syrups to some relishes simply by choosing from the (3) discharge fittings (included). The polycarbonate pump parts are dishwasher safe and replaceable. Maximum stroke yields 1 ounce (30 mL) with gauging collars supplied to reduce yield in ¼ ounce (7 mL) increments. A pump and jar drop into a countertop or can be placed into a Syrup Rail or insulated Serving Bar.

The PS-F pumps from a standard 10" (25.4 cm) fountain jar. PS-200 pumps from a 7½" (19 cm) fountain jar.

STANDARD FEATURES

- Durable polycarbonate construction
- Dishwasher safe for easy clean up
- Pump a wide range of products from syrups to relish
- Maximum stroke yields 1 ounce (30 mL)
- Easy-to-adjust portion control in ¼ ounce (7 mL) increments
- (3) discharge fittings to accommodate various products

ACCESSORY ITEMS

- Fountain Jar, Stainless Steel, 10" (25.4 cm) 82555
- Fountain Jar, Stainless Steel, 7½" (19 cm) 82556
- Fountain Jar, Plastic, White, 7½" (19 cm) 82558
- Fountain Jar, Plastic, White, 10" (25.4 cm) 82557
- Fountain Jar, Plastic, Black, 7½" (19 cm) 83147
- Fountain Jar, Plastic, Black, 10" (25.4 cm) 83149
- Fountain Jar, Plastic, Orange, 7½" (19 cm) 83148
- Fountain Jar, Plastic, Orange, 10" (25.4 cm) 83156



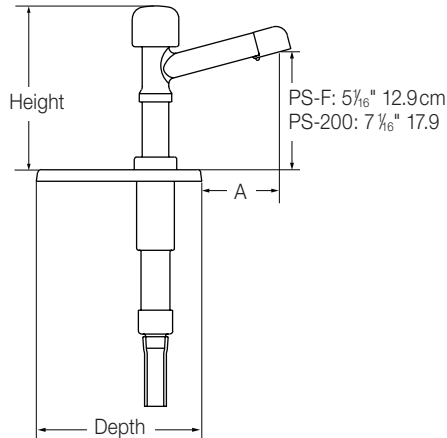
TWO YEAR WARRANTY

Server Products equipment is backed by a two-year limited warranty against defects in materials and workmanship. For a copy of our complete warranty statement, please refer to server-products.com.

PUMPS: SOLUTION™, PLASTIC FOUNTAIN JAR PUMPS

Models PS-F & PS-200

FOUNTAIN JARS - PS-F AND PS-200



MODELS ☺☹☹	PS-F 81910	PS-200 84060
Capacity	3.5 qt 3.3 L	2 qt 1.9 L
Height	7 ¹ / ₈ " 18.1 cm	9 ¹ / ₈ " 23.2 cm
Width	4 ¹ / ₂ " 11.4 cm	4 ¹ / ₂ " 11.4 cm
Depth	7 ¹ / ₈ " 18.1 cm	7 ¹ / ₈ " 18.1 cm
Dim. A	3 ³ / ₈ " 8.6 cm	3 ³ / ₈ " 8.6 cm
Cutout Size	4 ⁵ / ₁₆ " x 7" 11 x 17.8 cm	
Weight	2 lb (.9 kg)	

Measurements are shown above jar.

FOB RICHFIELD, WISCONSIN 53076

CAD LIBRARY

Individual CAD images can be downloaded free of charge from our website. Our complete collection of CAD files, along with more than 100 other manufacturers, can be purchased through Kochman Consultants, Ltd. at kclcad.com.