




PUMPS: STAINLESS STEEL

1/9-SIZE JAR PUMPS

Models CP-1/9, CP-1/9 Tall, FP-1/9 & BP Syrup-1/9

WHAT DO YOU DISPENSE?

-  **THIN** • fountain syrups • liqueur • hot or soy sauce
-  **THICK** • ketchup • mustard • mayo • bbq sauce
-  **PARTICULATES** • tartar sauce • Thousand Island



 **CP-1/9 TALL 87249**



 **FP-1/9 TALL 87310**



 **BP SYRUP-1/9 88150**

BID DESCRIPTION

Server Products CP-1/9 and FP-1/9 model pumps dispense directly from a 1/9-size jar, 6" (15.2 cm) deep. Each stainless steel pump is constructed with a cast valve body featuring captured balls to prevent loss. A maximum portion of 1 ounce (30 mL) per stroke reduces in 1/8 ounce (3.7 mL) increments with supplied gauging collars. Pump knob can be colored and engraved to label contents; black is standard. Exclusive 1/9-size jar sold separately.

CP-1/9 Tall, has a 3" (7.6 cm) taller discharge tube to fit deeper refrigeration equipment. The extra depth recesses the top of the pan 3" (7.6 cm) below the top lip of the refrigeration.

A smart alternative to disposable pumps, BP Syrup-1/9 combines a stylish stainless steel head assembly with a plastic cylinder. Designed with fewer parts, pump is certified for clean-in-place or can be fully disassembled for cleaning. Black knob can be engraved to identify contents. Jar sold separately.

Exclusive 1/9-size jar holds 1.9 qt (1.8 L); almost twice the amount of a standard 1/9-size pan. Jar fits wherever 1/9-size fractional pans go or put several in an insulated Mini Bar.

STANDARD FEATURES

- Stainless steel construction (except BP Syrup-1/9)
- BP design has fewer parts with stainless steel head assembly & plastic cylinder
- Pump directly from standard food containers
- 1 oz (30 mL) maximum portion, now adjustable in 1/8 oz (3.7 mL) increments — allows for Portion Optimization™
- Colored, engraved knob is available upon request; BP engraved only (contact customer service for details)

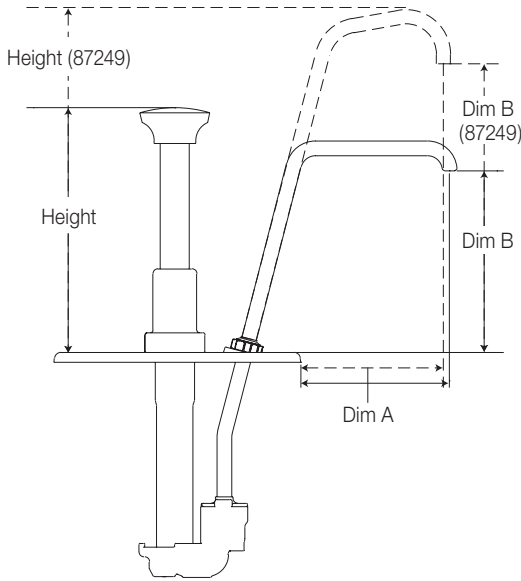
ACCESSORY ITEMS

- 1/9-Size Black Plastic Jar, 6" (15.2 cm) Deep 87203
- 1/9-Size Jar, Clear Plastic Hinged Lid (storage) 87253
- 1/9-Size Jar, Stainless Steel Hinged Lid (storage) 87211

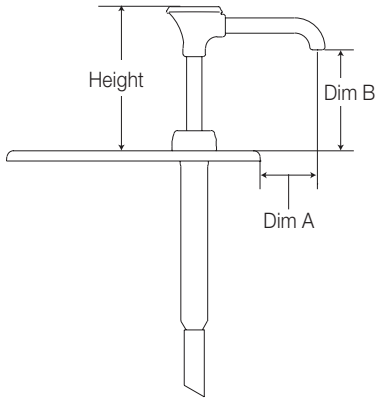
PUMPS: STAINLESS STEEL FOOD CONTAINER DISPENSERS





Models CP-1/9, CP-1/9 Tall, FP-1/9 & BP Syrup-1/9

CP-1/9 87300, CP-1/9 TALL 87249
& FP-1/9 87310



BP SYRUP-1/9 88150



FOOD KEY				
MODEL	CP-1/9 87300	CP-1/9 TALL 87249	FP-1/9 87310	BP SYRUP-1/9 88150
Height	6 1/4" 15.9 cm	6 1/4" 15.9 cm	6 1/4" 15.9 cm	4 3/4" 12.1 cm
Dim. A	3 3/4" 9.5 cm	3 7/8" 9.8 cm	3 3/4" 9.5 cm	3 7/8" 9.8 cm
Dim. B	4 5/8" 11.8 cm	7 5/8" 19.4 cm	4 5/8" 11.8 cm	3 5/16" 8.4 cm
Weight	3 lb (1.4 kg)			
Cutout Size	3 15/16" (10 cm) Wide x 6 1/4" (15.9 cm) Deep			
Dimensions (above jar)	3 15/16" (10 cm) Wide x 6 1/4" (15.9 cm) Deep			
Capacity	Exclusive 1/9-size jar 6" (15.2 cm) deep holds 1.9 qt (1.8 L); almost twice the amount of a 1/9-size pan			

FOB RICHFIELD, WISCONSIN 53076

TWO YEAR WARRANTY

Server Products equipment is backed by a two-year limited warranty against defects in materials and workmanship. For a copy of our complete warranty statement, please refer to server-products.com.

CAD LIBRARY

Individual CAD images can be downloaded free of charge from our website. Our complete collection of CAD files, along with more than 100 other manufacturers, can be purchased through Kochman Consultants, Ltd. at kclcad.com.