

TWICE THE TOPPINGS. TWICE THE YUM.

TWIN TOPPING WARMERS

Manage food costs by providing precise portions of two hot toppings from #10 cans or 2.8 L jars



NSF listed as a rethermalizer – quickly heat toppings to a safe serving temperature

Precise temperature control and accurate, even heat eliminates wasted servings – no scorching as product depletes



1.800.558.8722
Outside USA: 1.262.628.5600
Server-Products.com



TWIN TOPPING WARMER Model Twin FSP

Food Applications

- Warm two sauces, gravies or toppings for dipping, dressing or plating
- Small batch prep maintains ideal freshness
- Great for heating different products that require specific temperature settings

Fast Facts

Safely warm sauces, gravies or toppings and serve with a ladle or portion-control pump – max 30 mL stroke adjusts in 3.7 mL increments.

Individual thermostats with temp markings control each heating element and use a water-bath to warm each topping. Accurate, even heat prevents scorching and burning.

Add colored, engraved knobs for quick product differentiation – specify when ordering.

TAKE ULTIMATE CONTROL OF TOPPING

TWIN HOT TOPPING WARMER

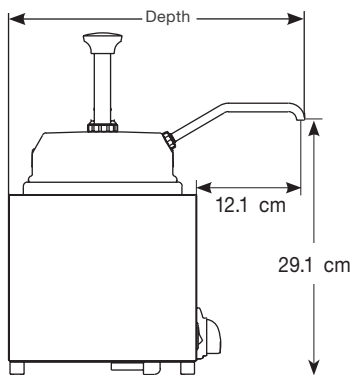
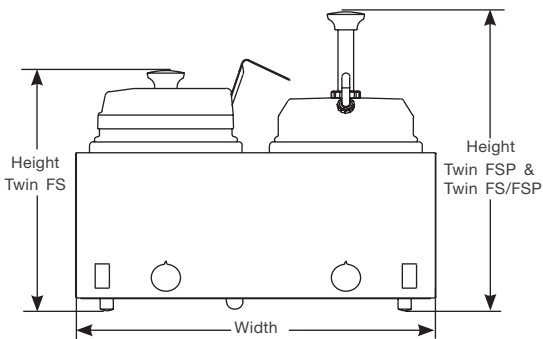
Model Twin FS, FSP & FS/FSP

Specifier Statement

Server Products Twin Topping Warmer Models Twin FS, FSP & FS/FSP are designed to heat and serve hot toppings from (2) #10 manufacturer's cans or (2) 2.8 L stainless steel jars. Number of 1 oz ladles or portion-control pumps vary by model. Maximum pump stroke dispenses 30 mL, and reduces in 3.7 mL increments. Water-bath warmers feature (2) adjustable thermostats with temperature markings to control individual 500 watt wrap-around heating elements. Temperatures range from 38°C to 93°C, and power is controlled with (2) switches. NSF listed. Rethernalizer. Two-year warranty. Ships FOB Richfield, WI 53076.

Twin Warmer Product Code

- Warmer, (2) ladles Twin FS
- Warmer, (2) pumps Twin FSP
- Warmer, (1) ladle & (1) pump Twin FS/FSP



Specifications

Model	Twin FS	Twin FSP	Twin FS/FSP
	81420 Aust	81460 Aust	80850 Aust
	81250 Euro	81260 Euro	80280 Euro
	84910 UK	84990 UK	84950 UK
		86943 Brazil	
Capacity	(2) 2.8 L cans or jars	(2) 2.8 L cans or jars	(2) 2.8 L cans or jars
Height	31.3 cm	38.9 cm	38.9 cm
Width	43.2 cm	43.2 cm	43.2 cm
Depth	24.4 cm	34.3 cm	34.3 cm
Weight	9.1 kg	10 kg	9.5 kg
Electrical	230V 1000W 8.3A	230V 1000W 8.3A (Brazil 4.3A)	208-240V 1000W 8.3A
Single Phase, 50/60Hz			



Accessory Items

- Stainless steel jar, 2.8 L 94009



Server Products, Inc. Outside of USA: 262.628.5600
 3601 Pleasant Hill Road | Richfield WI 53076
 international@server-products.com | server-products.com