

True

TRUE EUROPE

UK OFFICE: Field's End Road, Goldthorpe, Nr. Rotherham, South Yorkshire S63 9EU, UK
 Tel +44 01709 888 080 • Fax +44 01709 880 838 • Free Phone 0 800 783 2049
 Free Phone to U.S. 0 800 894 928 • EU OFFICE: Hauptstr. 269 • 79650 Schopfheim • Germany
 Tel +49 07622 6883 0 • Fax +49 07622 6883 499 • www.truefmfg.com



8/16

Modello:
TUC-48F-HC

Sottobanco:
 Frigorifero a porte solide con Idrocarburo Refrigerante



TUC-48F-HC

- ▶ True's undercounter units are designed with enduring quality that protects your long term investment.
- ▶ Designed using the highest quality materials and components to provide the user with colder product temperatures, lower utility costs, exceptional food safety and the best value in today's food service marketplace.
- ▶ Factory engineered, self-contained, capillary tube system using environmentally friendly R290 hydro carbon refrigerant that has zero (0) ozone depletion potential (ODP), & three (3) global warming potential (GWP).
- ▶ Oversized, environmentally friendly forced-air refrigeration system holds -10°F (-23.3°C). Ideally suited for both frozen foods and ice cream.
- ▶ All stainless steel front, top and ends. Matching aluminum finished back.
- ▶ Interior - attractive, NSF approved, clear coated aluminum liner with stainless steel floor.
- ▶ Heavy duty PVC coated wire shelves.
- ▶ Automatic defrost system time-initiated, time-terminated.
- ▶ Foamed-in-place using a high density, polyurethane insulation that has zero ozone depletion potential (ODP) and zero global warming potential (GWP).

ENERGIA - ENERGIJA - ENERGIJA
 ENERGIJA - ENERGY - ENERGIJA
 ENERGIJA

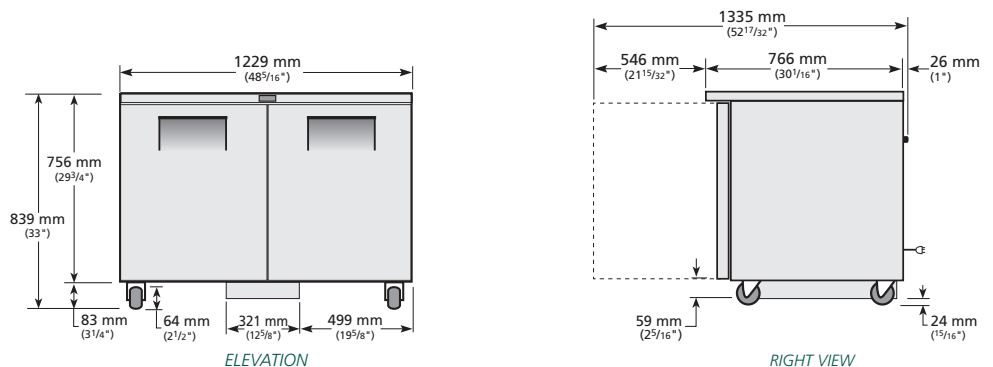
2054 kWh/annum

265 L

4 30°C-55%

2015/1094

PIANTA



DATI BASE

Specifiche soggette a cambiamento senza preavviso.
 Dimensioni arrotondate per eccesso al millimetro successivo.

Modello	Tipo	Porte	Ripiani	Dimensioni (mm)			Volume Netto (litri)	EEC	EEI	24 hr/ Consumo Energia (kWh)	Consumo Energia Annuale (kWh)	Peso Imballo (kg)
				L	Pt	A						
TUC-48F-HC	Counter Frozen	2	4	1229	766	839	265	D	52.3	5.627	2054	132

† La profondità non include 26 mm dei paraurti posteriori.